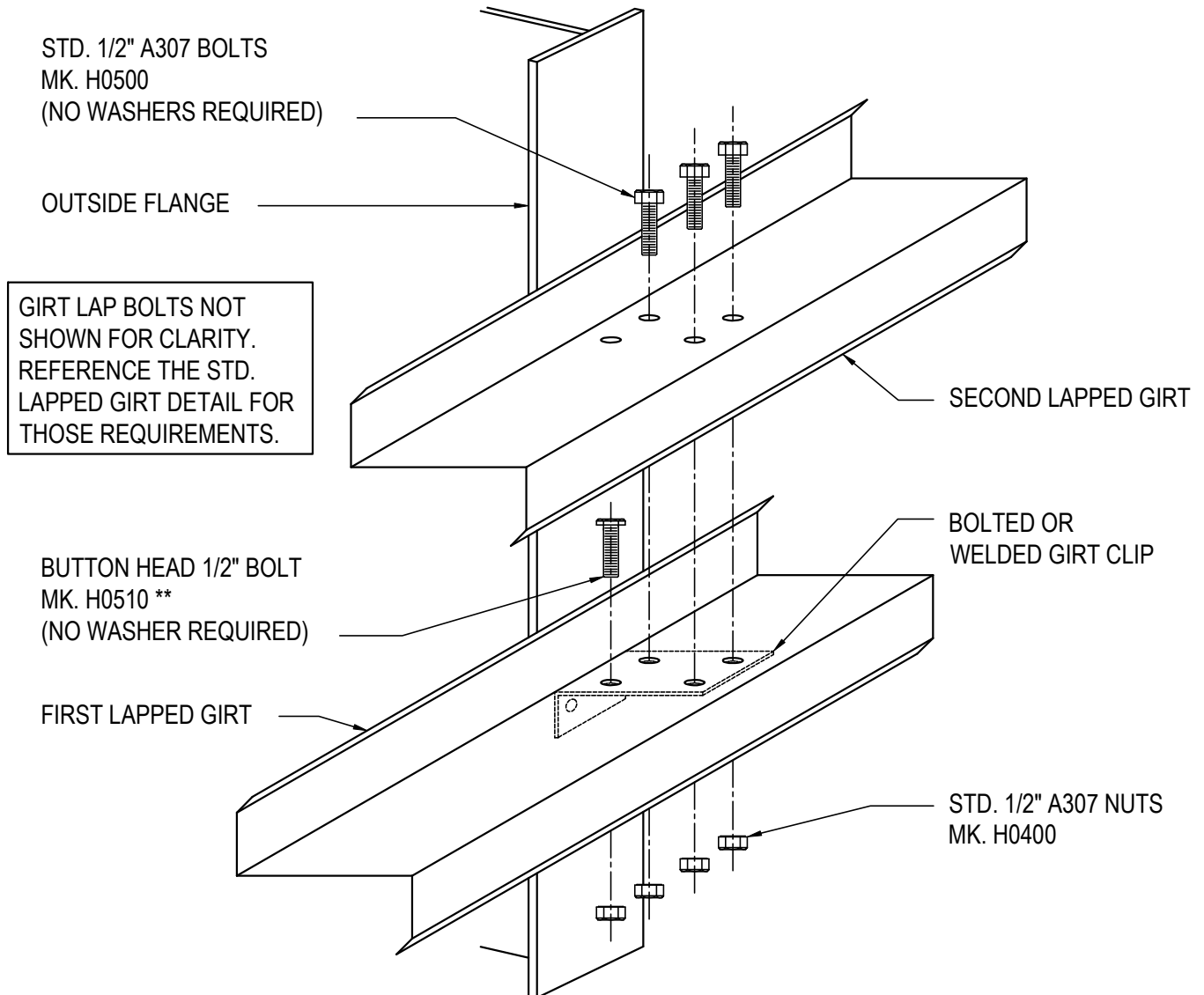


SW EW BYPASS GIRT DETAILS

- CC0006 - LAPPED GIRT DETAIL
 - CC0011 - SINGLE CEE COLUMN AT BYPASS GIRTS
 - CC0012 - SINGLE CEE COLUMN AT BYPASS GIRTS
 - CC0072 - HR CEE GIRTS WITH CLIP ABOVE
 - CC0074 - GIRT TO JOIST CONNECTION
 - CC0075 - GIRT TO PURLIN CONN DETAIL
 - CC0076 - GIRT TO MASONRY WALL DETAIL
 - CC0080 - MASONRY AT LEFT OF COLUMN (ZEE OR CEE GIRT)
 - CC0090 - MASONRY AT RIGHT OF COLUMN (ZEE OR CEE GIRT)
 - CC0100 - MASONRY AT LEFT OF COLUMN (CEE GIRT)
 - CC0110 - MASONRY AT RIGHT OF COLUMN (CEE GIRT)
 - CC0120 - MASONRY AT LEFT OF COLUMN (HOT-ROLLED GIRT)
 - CC0130 - MASONRY AT RIGHT OF COLUMN (HOT-ROLLED GIRT)
 - CC0240 - SW OR EW GIRT DETAIL
 - CC0250 - GIRT DETAIL AT INTERIOR COLUMN DETAIL
 - CC1010 - SW OR EW GIRT DETAIL
 - CC1020 - SW OR EW GIRT DETAIL
 - CC1030 - SW OR EW GIRT DETAIL
 - CC1040 - HR CEE WITH WELDED CLIP ABOVE
-

CC0006 - LAPPED GIRT DETAIL

[Download the DWG file by clicking here.](#)



LAPPED GIRT DETAIL

LAPPED GIRTS @ INTERIOR BAY COLUMNS

** THE BUTTON HEAD 1/2" A307 BOLT MUST BE INSTALLED INTO THE FIRST GIRT AND CLIP OF A LAPPED CONDITION. THE BOLT/NUT ASSEMBLY MUST BE WRENCH TIGHT PRIOR TO THE SECOND LAPPED GIRT BEING INSTALLED.

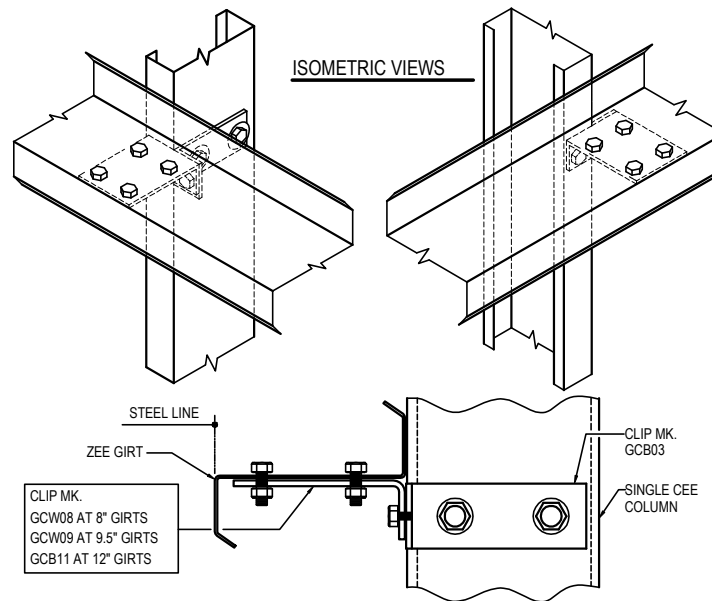
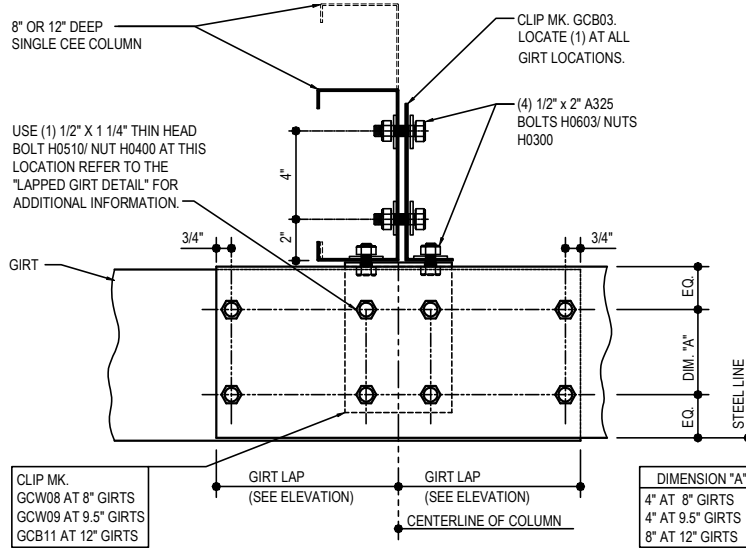
CC0006

Detailer Notes:

- 1) N/A

CC0011 - SINGLE CEE COLUMN AT BYPASS GIRTS

[Download the DWG file by clicking here.](#)



SINGLE CEE COLUMN AT BYPASS GIRTS

SINGLE CEE COLUMN WITH LAPPED BYPASS GIRTS
NOTE: USE (7) 1/2" x 1 1/4" A307 BOLTS H0500/NUTS H0400
WASHERS ARE NOT REQUIRED AT LAPPED ZEE CONNECTION
REFERENCE ERECTOR NOTE FOR TYPICAL WASHER REQUIREMENTS

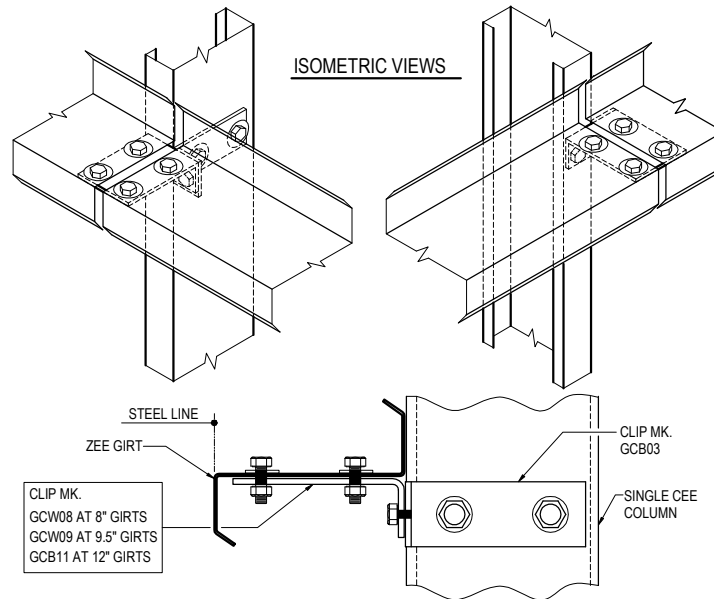
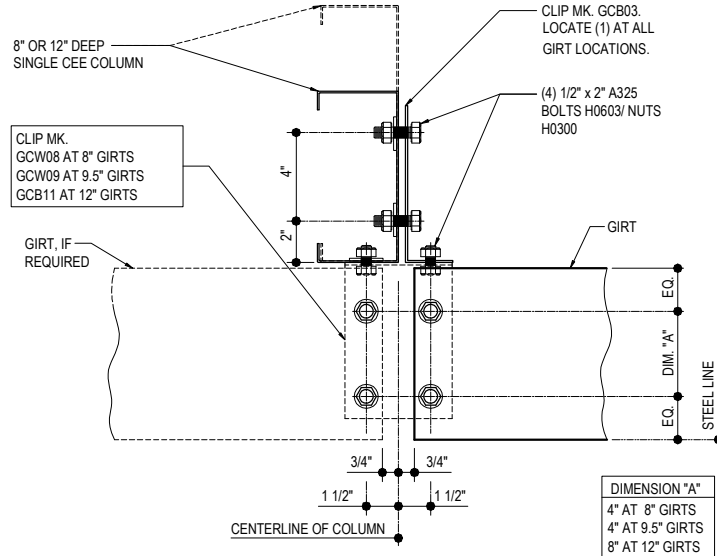
CC0011

Detailer Notes:

- 1) N/A

CC0012 - SINGLE CEE COLUMN AT BYPASS GIRTS

[Download the DWG file by clicking here.](#)



SINGLE CEE COLUMN AT BYPASS GIRTS

SINGLE CEE COLUMN WITH SIMPLE-SPAN BYPASS GIRTS
NOTE: USE (4) 1/2" x 1 1/4" A307 BOLTS H0500/NUTS H0400
REFERENCE ERECTOR NOTE FOR TYPICAL WASHER REQUIREMENTS

CC0012

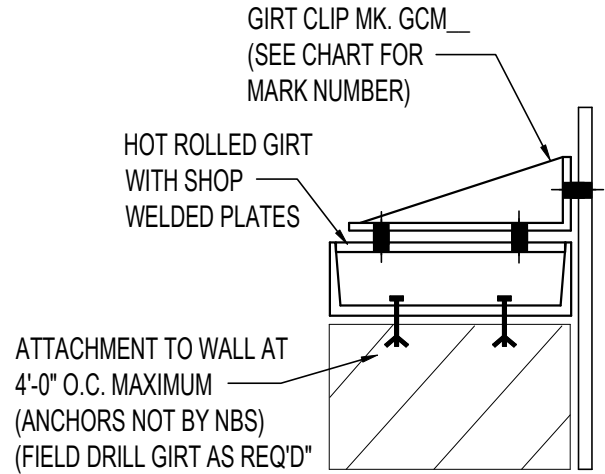
Detailer Notes:

1) N/A

CC0072 - HR CEE GIRTS WITH CLIP ABOVE

[Download the DWG file by clicking here.](#)

COLUMN FLANGE WIDTH	*	8" GIRT CLIP	12" GIRT CLIP
FLANGE = 4"	1 1/8"	GCM11	GCM13
FLANGE > 4"	1 1/2"	GCM01	GCM06

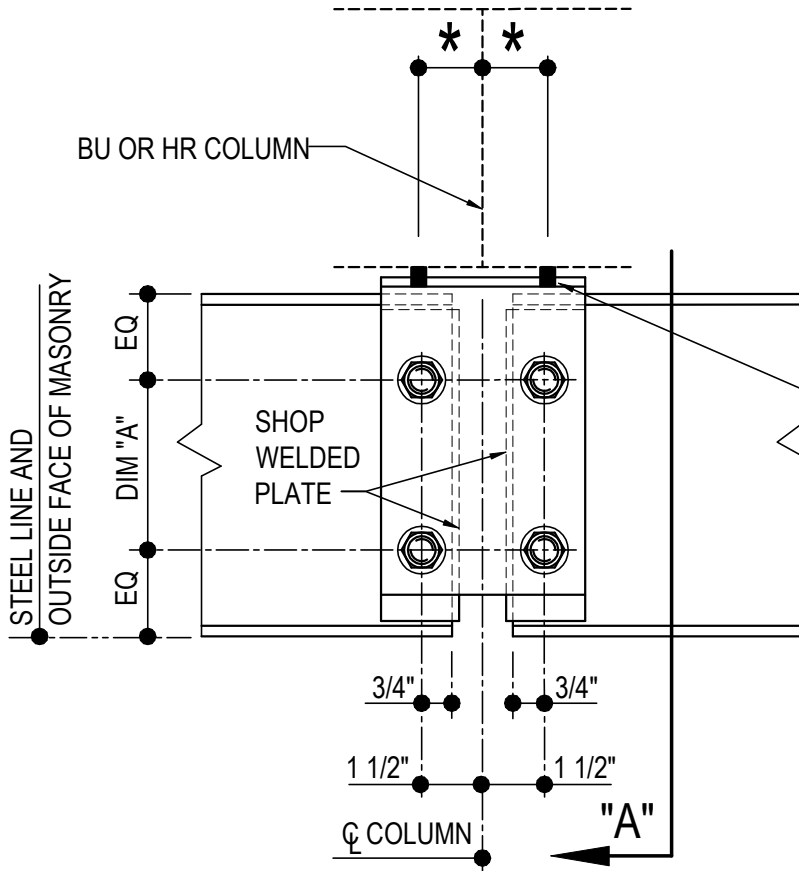


SECTION A

USE (2) 1/2" x 2" A325 BOLTS H0603/ NUTS H0300 (CLIP TO FLANGE CONNECTION)

HOT-ROLLED GIRT (TYPICAL)

DIM. "A" = 4" AT 8" GIRTS
= 8" AT 12" GIRTS



NON SELF-SUPPORTING MASONRY

PARTIAL HEIGHT MASONRY (HOT-ROLLED GIRT ON TOP OF WALL)

USE (4) 1/2"x2" A325 BOLTS (H0603) & NUTS (H0300)

REFERENCE ERECTOR NOTE FOR TYPICAL WASHER REQUIREMENTS

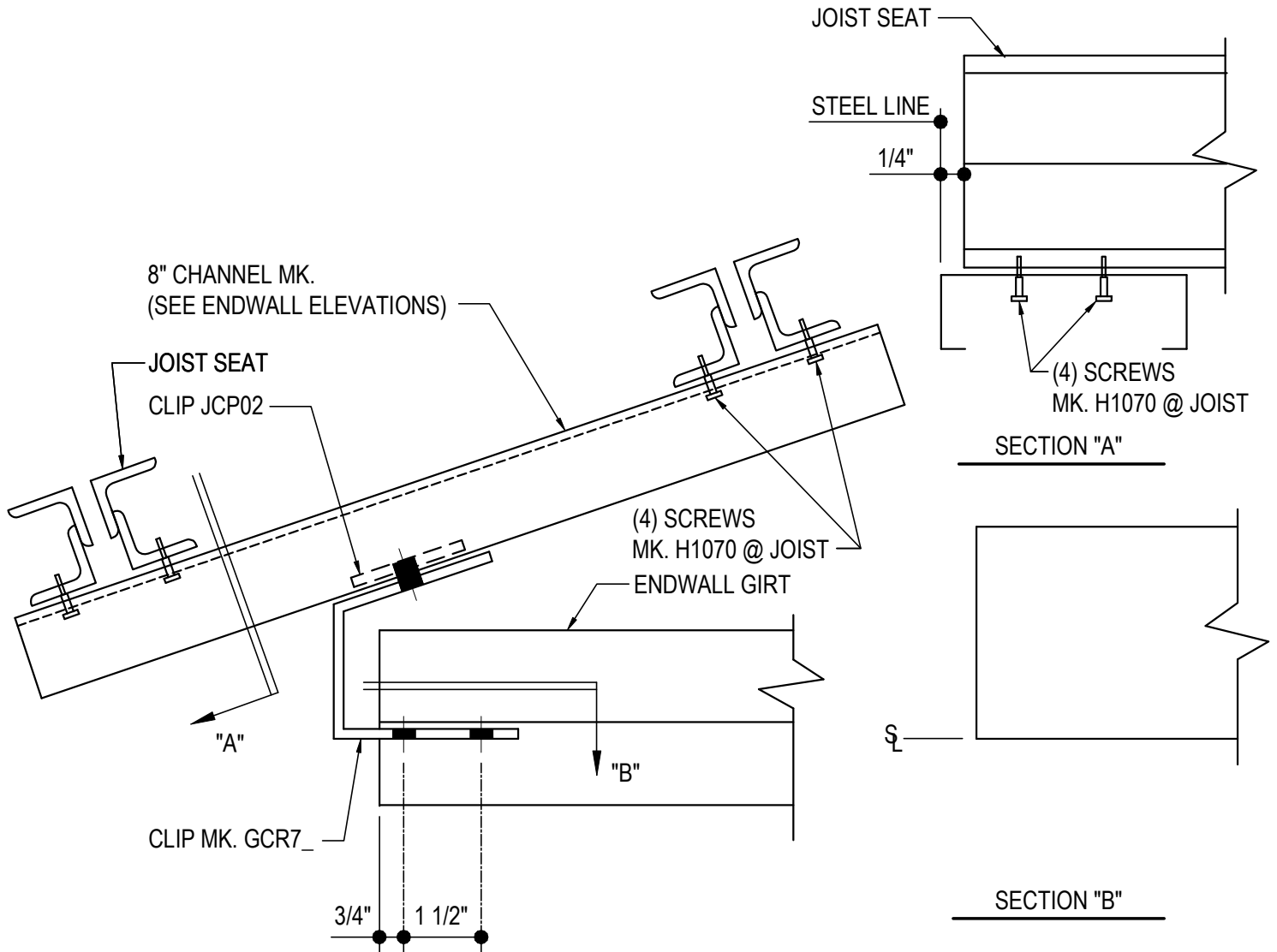
CC0072

Detailer Notes:

- (2) HOLE CLIP WELDED TO HR GIRT :
8" - HCS08
12" - HCS12

CC0074 - GIRT TO JOIST CONNECTION

[Download the DWG file by clicking here.](#)



GIRT TO JOIST CONNECTION

BY-PASS GIRT AT ENDWALL JOIST

USE (4) 1/2" x 1 1/4" A307 BOLTS H0500/NUTS H0400

REFERENCE ERECTOR NOTE FOR TYPICAL WASHER REQUIREMENTS

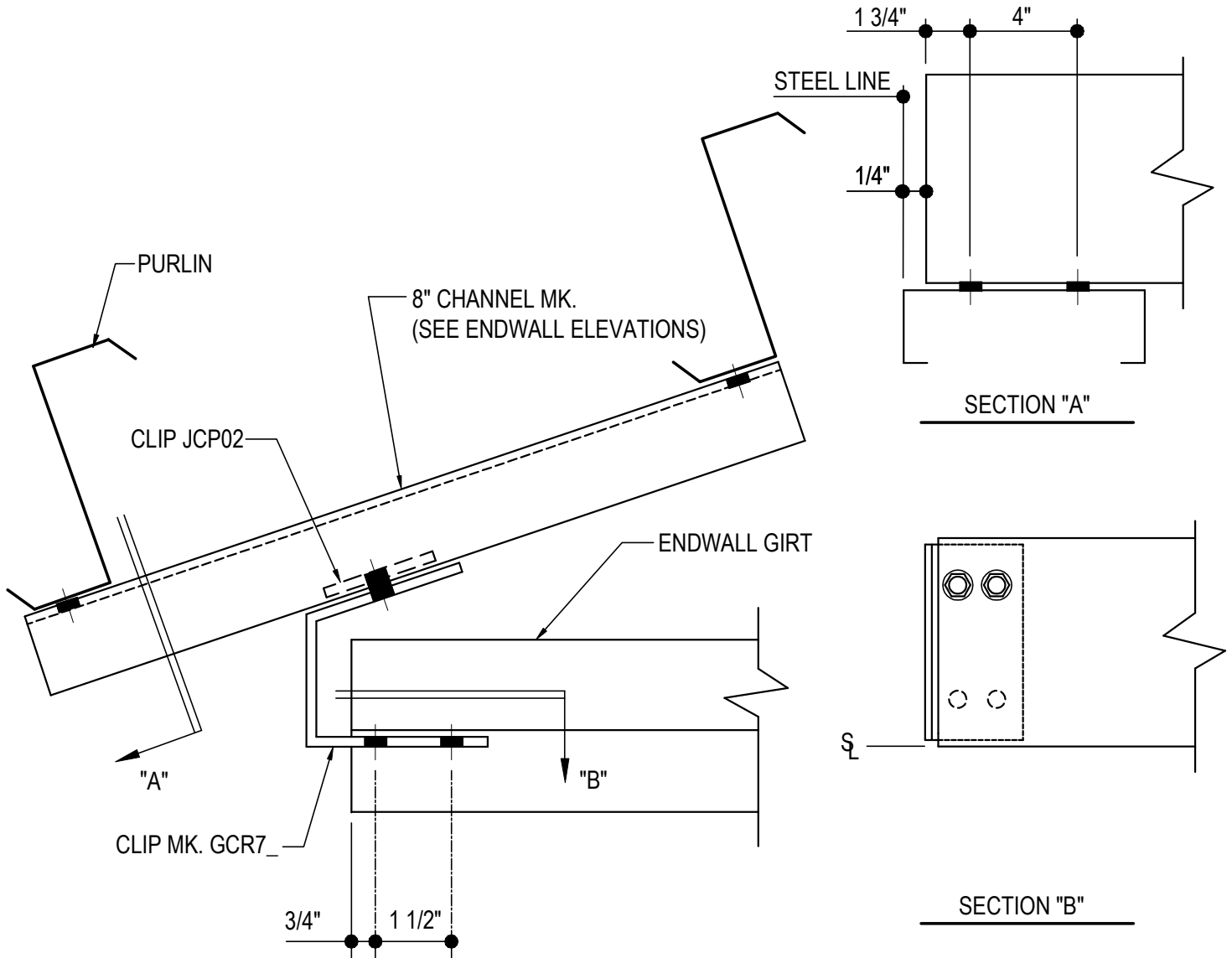
CC0074

Detailer Notes:

- 1) N/A

CC0075 - GIRT TO PURLIN CONN DETAIL

[Download the DWG file by clicking here.](#)



GIRT TO PURLIN CONN

BYPASS GIRT AT ENDWALL PURLIN

USE (8) $1\frac{1}{2}" \times 1\frac{1}{4}"$ A307 BOLTS H0500/NUTS H0400

REFERENCE ERECTOR NOTE FOR TYPICAL WASHER REQUIREMENTS

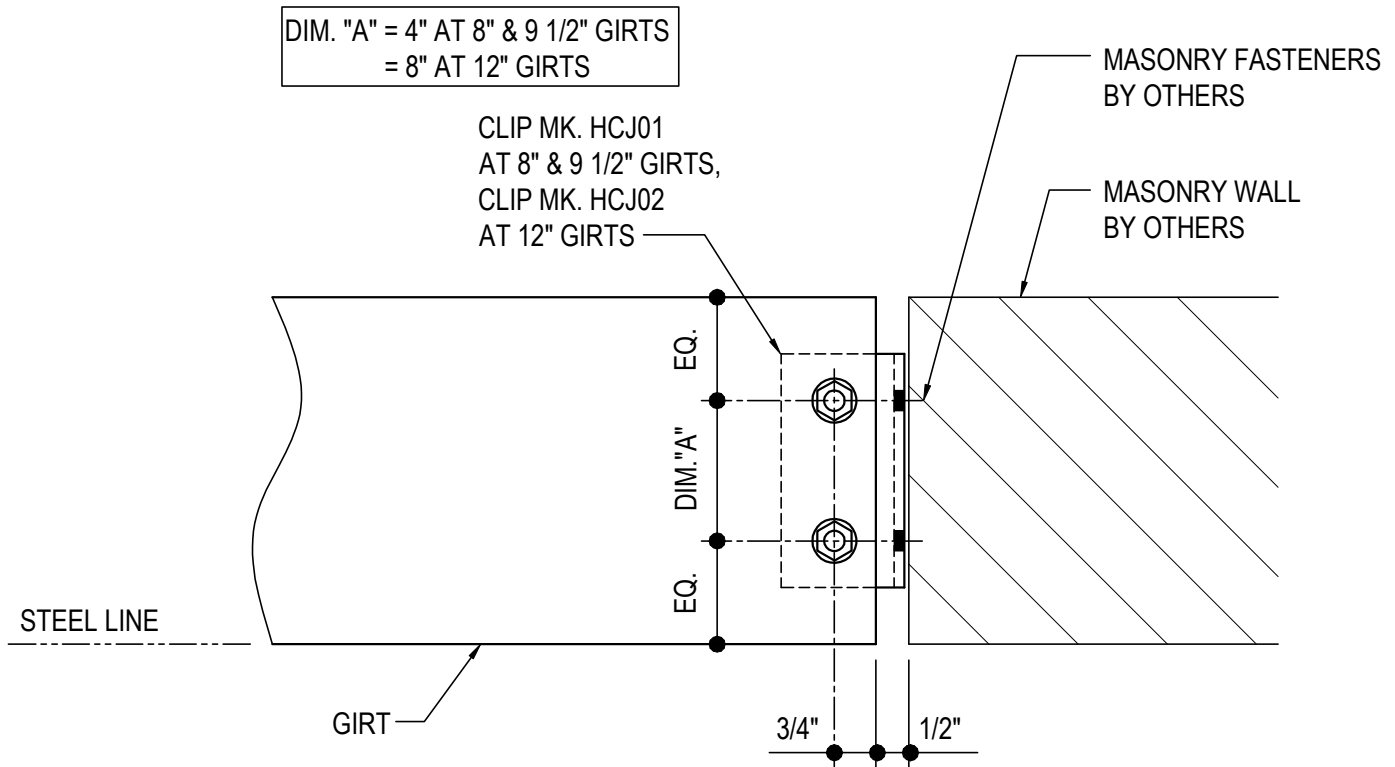
CC0075

Detailer Notes:

- 1) N/A

CC0076 - GIRT TO MASONRY WALL DETAIL

[Download the DWG file by clicking here.](#)



GIRT TO MASONRY WALL DETAIL

NOTE: USE (2) 1/2" Ø x 1 1/4" A307 BOLTS H0500/NUTS H0400

CC0076

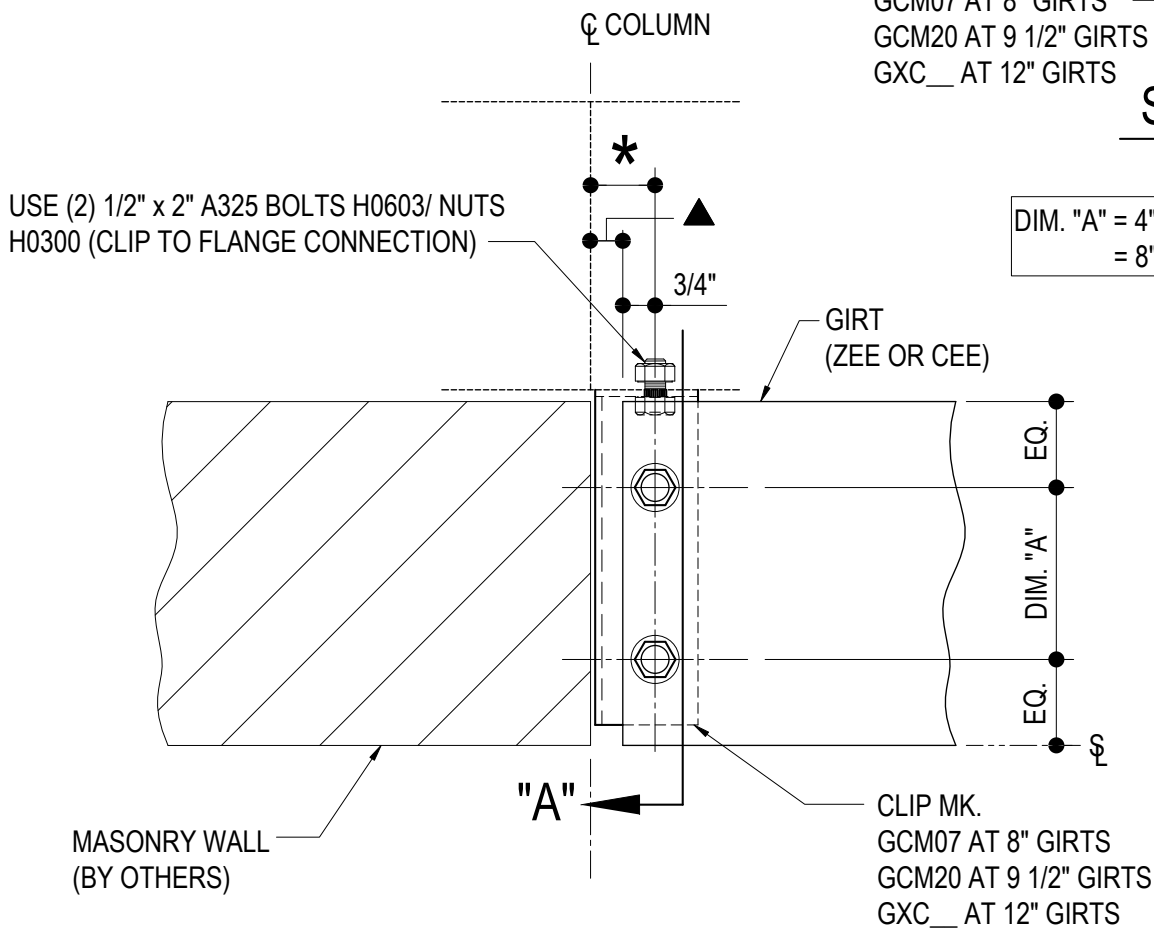
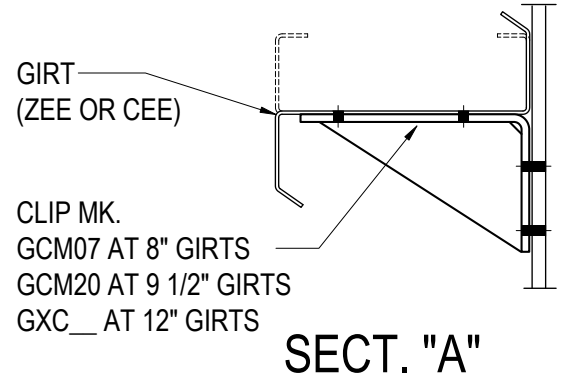
Detailer Notes:

1) N/A

CC0080 - MASONRY AT LEFT OF COLUMN (ZEE OR CEE GIRT)

[Download the DWG file by clicking here.](#)

COLUMN FLANGE WIDTH	*	▲
FLANGE = 4"	1 1/8"	3/8"
FLANGE > 4"	1 1/2"	3/4"



SW OR EW GIRT TERMINATION DETAIL

BYPASS GIRT TERMINATION AT MASONRY WALL LEFT

NOTE: USE (2) 1/2"x1 1/4" A307 BOLTS H0500/NUTS H0400

REFERENCE ERECTOR NOTE FOR TYPICAL WASHER REQUIREMENTS

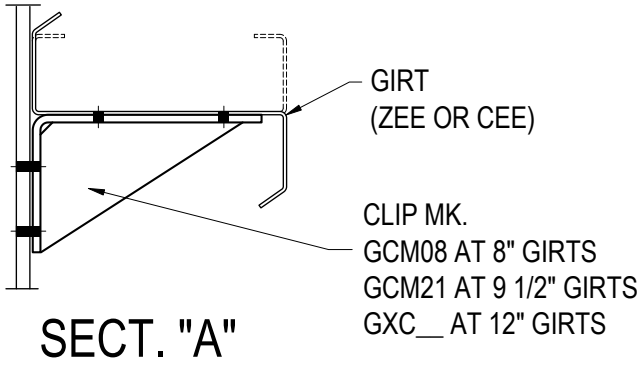
CC0080

Detailer Notes:

- 1) IF COLUMN FLANGE IS 4" THE GCM__ CLIP WILL CROSS THE CENTERLINE OF THE COLUMN SPECIAL CLIP MAY BE REQUIRED.

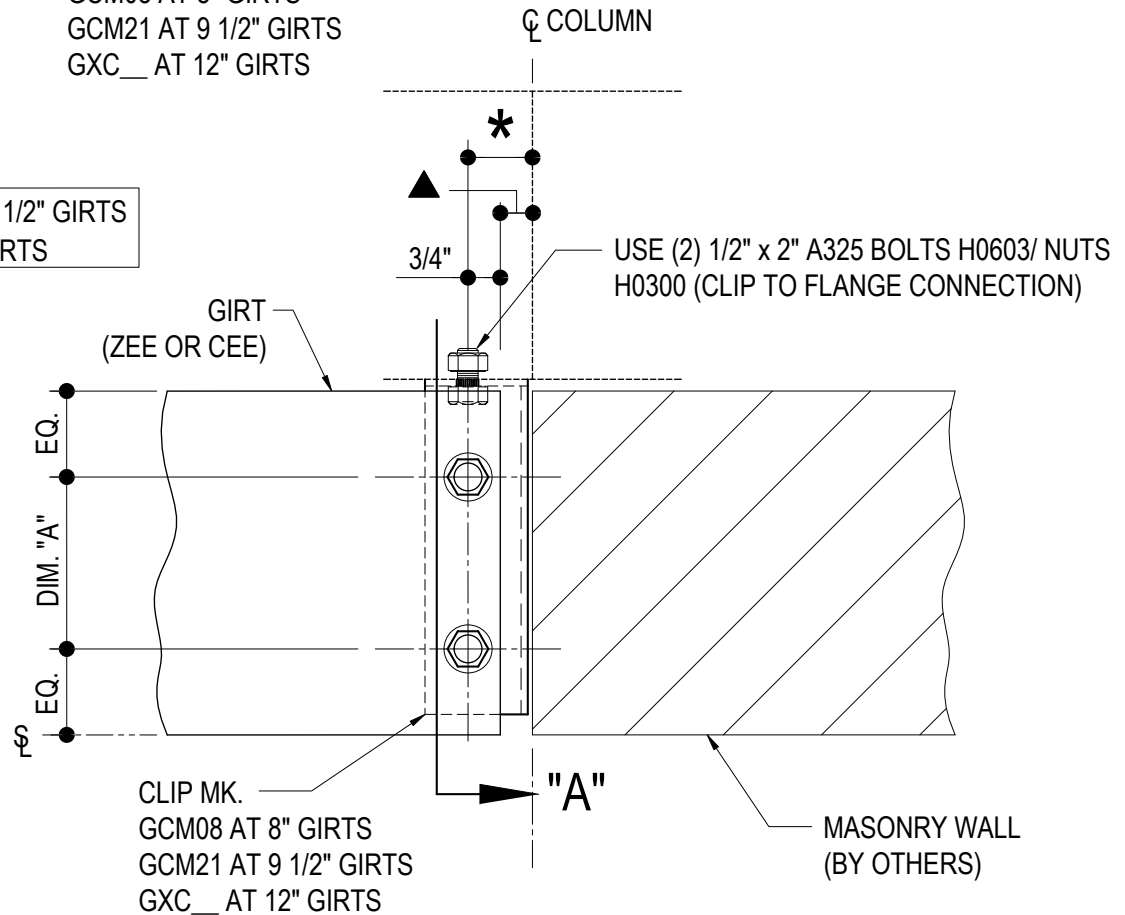
CC0090 - MASONRY AT RIGHT OF COLUMN (ZEE OR CEE GIRT)

[Download the DWG file by clicking here.](#)



COLUMN FLANGE WIDTH	*	▲
FLANGE = 4"	1 1/8"	3/8"
FLANGE > 4"	1 1/2"	3/4"

DIM. "A" = 4" AT 8" & 9 1/2" GIRTS
= 8" AT 12" GIRTS



SW OR EW GIRT TERMINATION DETAIL

BYPASS GIRT TERMINATION AT MASONRY WALL RIGHT

NOTE: USE (2) 1/2"x 1 1/4" A307 BOLTS H0500/NUTS H0400

REFERENCE ERECTOR NOTE FOR TYPICAL WASHER REQUIREMENTS

CC0090

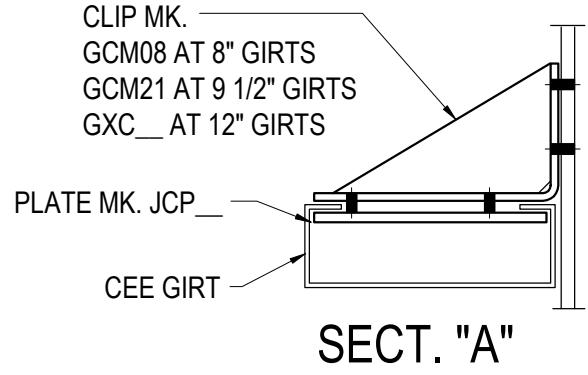
Detailer Notes:

- 1) IF COLUMN FLANGE IS 4" THE GCM__ CLIP WILL CROSS THE CENTERLINE OF THE COLUMN SPECIAL CLIP MAY BE REQUIRED.

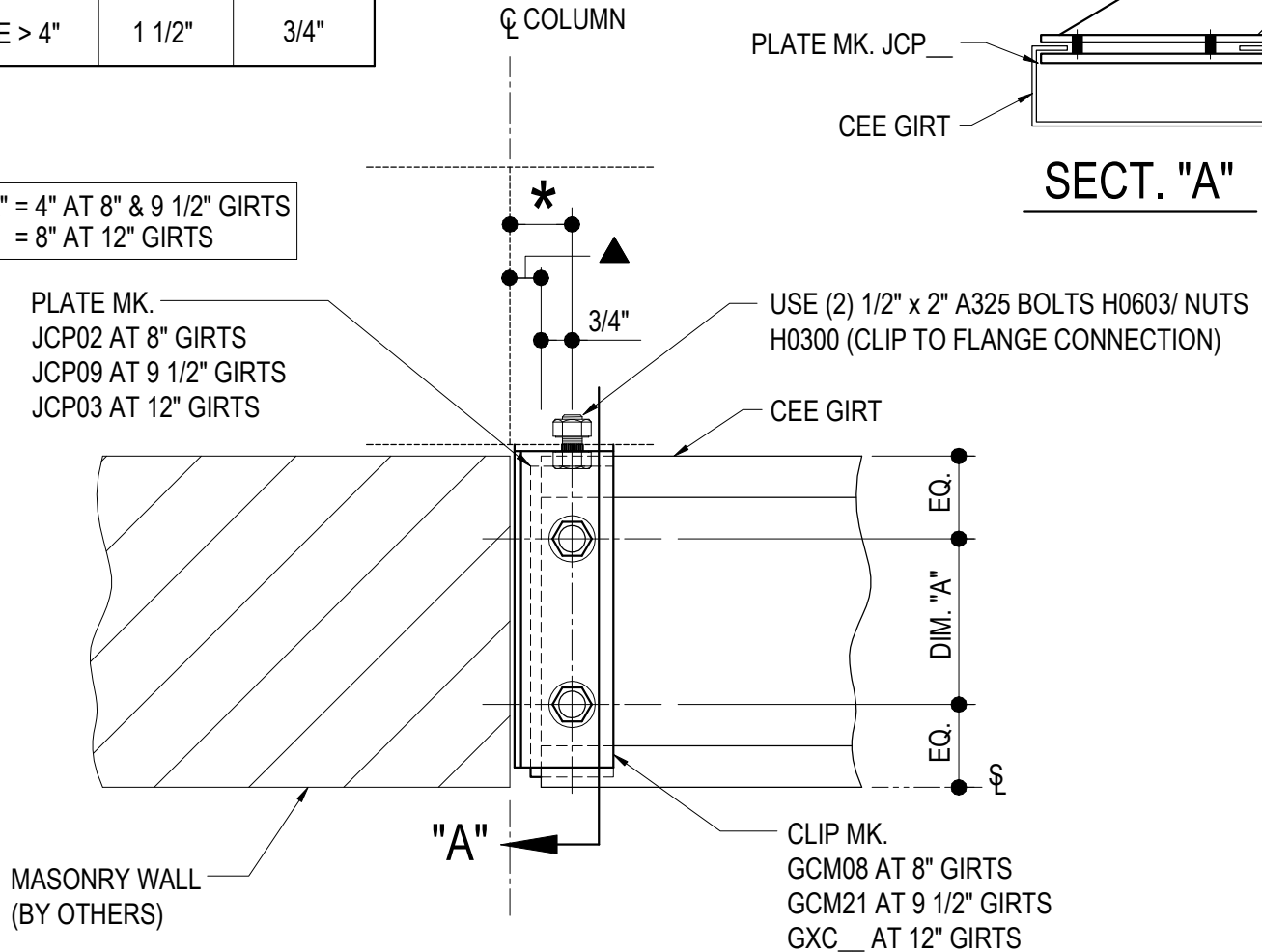
CC0100 - MASONRY AT LEFT OF COLUMN (CEE GIRT)

[Download the DWG file by clicking here.](#)

COLUMN FLANGE WIDTH	*	▲
FLANGE = 4"	1 1/8"	3/8"
FLANGE > 4"	1 1/2"	3/4"



DIM. "A" = 4" AT 8" & 9 1/2" GIRTS
= 8" AT 12" GIRTS



SW OR EW GIRT TERMINATION DETAIL

BYPASS CEE GIRT TERMINATION AT MASONRY WALL LEFT

NOTE: USE (2) 1/2"x 1 1/4" A307 BOLTS H0500/ NUTS H0400

REFERENCE ERECTOR NOTE FOR TYPICAL WASHER REQUIREMENTS

CC0100

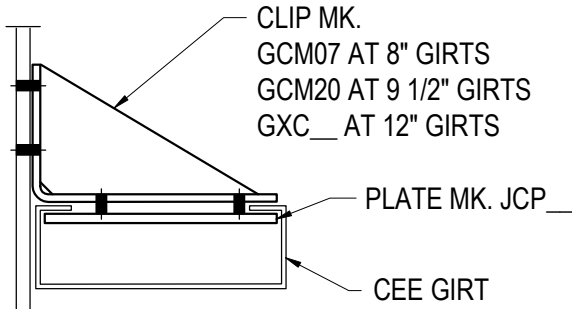
Detailer Notes:

- 1) IF COLUMN FLANGE IS 4" THE GCM_ CLIP WILL CROSS THE CENTERLINE OF THE COLUMN SPECIAL CLIP MAY BE REQUIRED.

CC0110 - MASONRY AT RIGHT OF COLUMN (CEE GIRT)

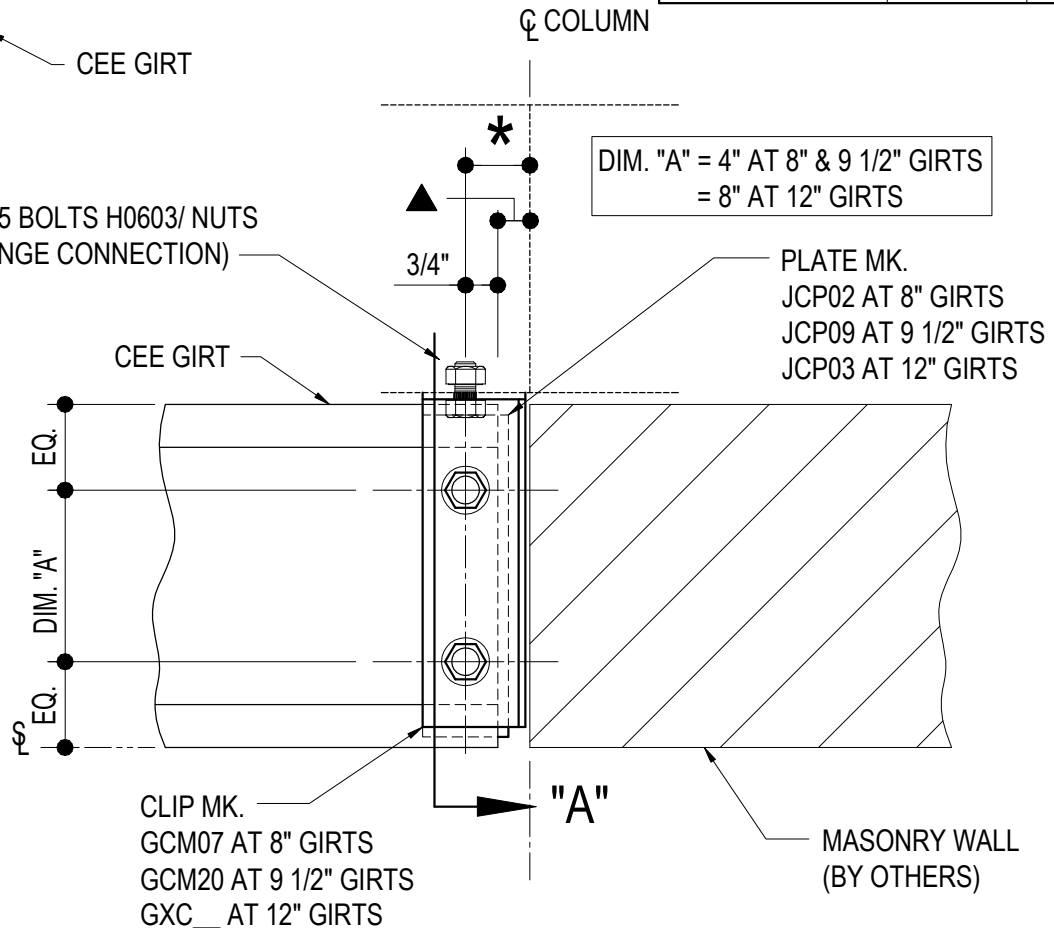
[Download the DWG file by clicking here.](#)

COLUMN FLANGE WIDTH	*	▲
FLANGE = 4"	1 1/8"	3/8"
FLANGE > 4"	1 1/2"	3/4"



SECT. "A"

USE (2) 1/2" x 2" A325 BOLTS H0603/ NUTS H0300 (CLIP TO FLANGE CONNECTION)



SW OR EW GIRT TERMINATION DETAIL

BYPASS CEE GIRT TERMINATION AT MASONRY WALL RIGHT

NOTE: USE (2) 1/2"x 1 1/4" A307 BOLTS H0500/NUTS H0400

REFERENCE ERECTOR NOTE FOR TYPICAL WASHER REQUIREMENTS

CC0110

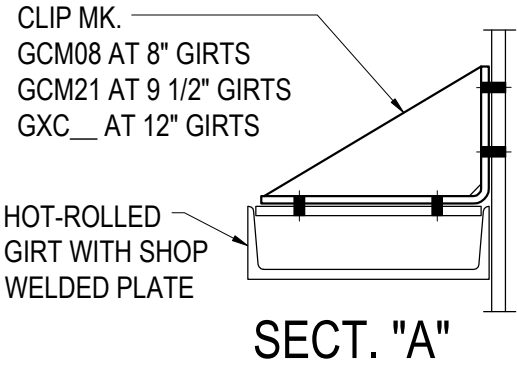
Detailer Notes:

- 1) IF COLUMN FLANGE IS 4" THE GCM__ CLIP WILL CROSS THE CENTERLINE OF THE COLUMN SPECIAL CLIP MAY BE REQUIRED.

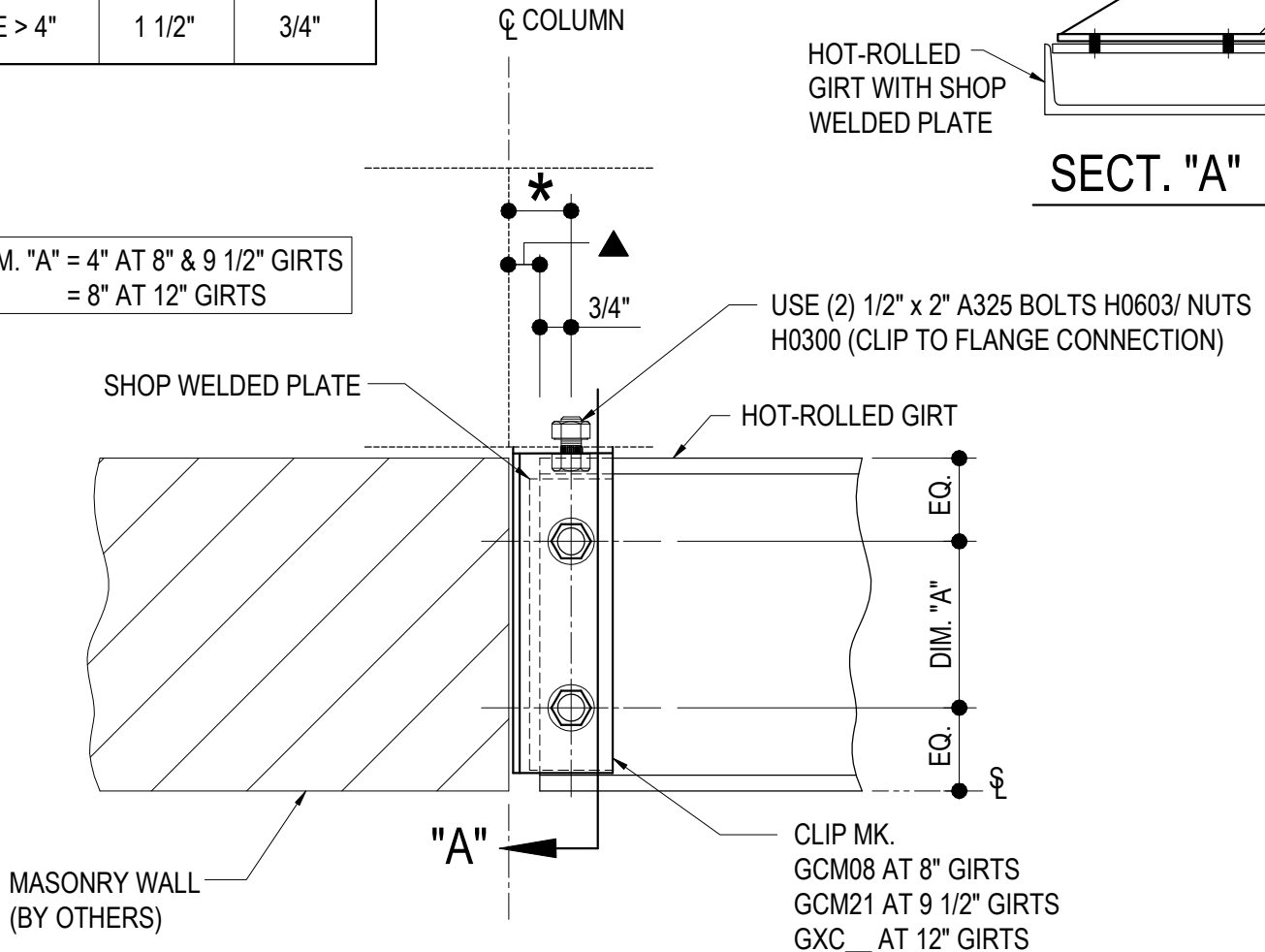
CC0120 - MASONRY AT LEFT OF COLUMN (HOT-ROLLED GIRT)

[Download the DWG file by clicking here.](#)

COLUMN FLANGE WIDTH	*	▲
FLANGE = 4"	1 1/8"	3/8"
FLANGE > 4"	1 1/2"	3/4"



DIM. "A" = 4" AT 8" & 9 1/2" GIRTS
= 8" AT 12" GIRTS



SW OR EW GIRT TERMINATION DETAIL

BYPASS CEE GIRT TERMINATION AT MASONRY WALL LEFT

NOTE: USE (2) 1/2"x 2" A325 BOLTS H0603/NUTS H0300

REFERENCE ERECTOR NOTE FOR TYPICAL WASHER REQUIREMENTS

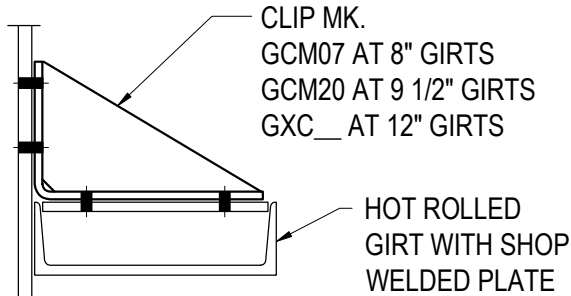
CC0120

Detailer Notes:

- 1) IF COLUMN FLANGE IS 4" THE GCM__ CLIP WILL CROSS THE CENTERLINE OF THE COLUMN SPECIAL CLIP MAY BE REQUIRED.

CC0130 - MASONRY AT RIGHT OF COLUMN (HOT-ROLLED GIRT)

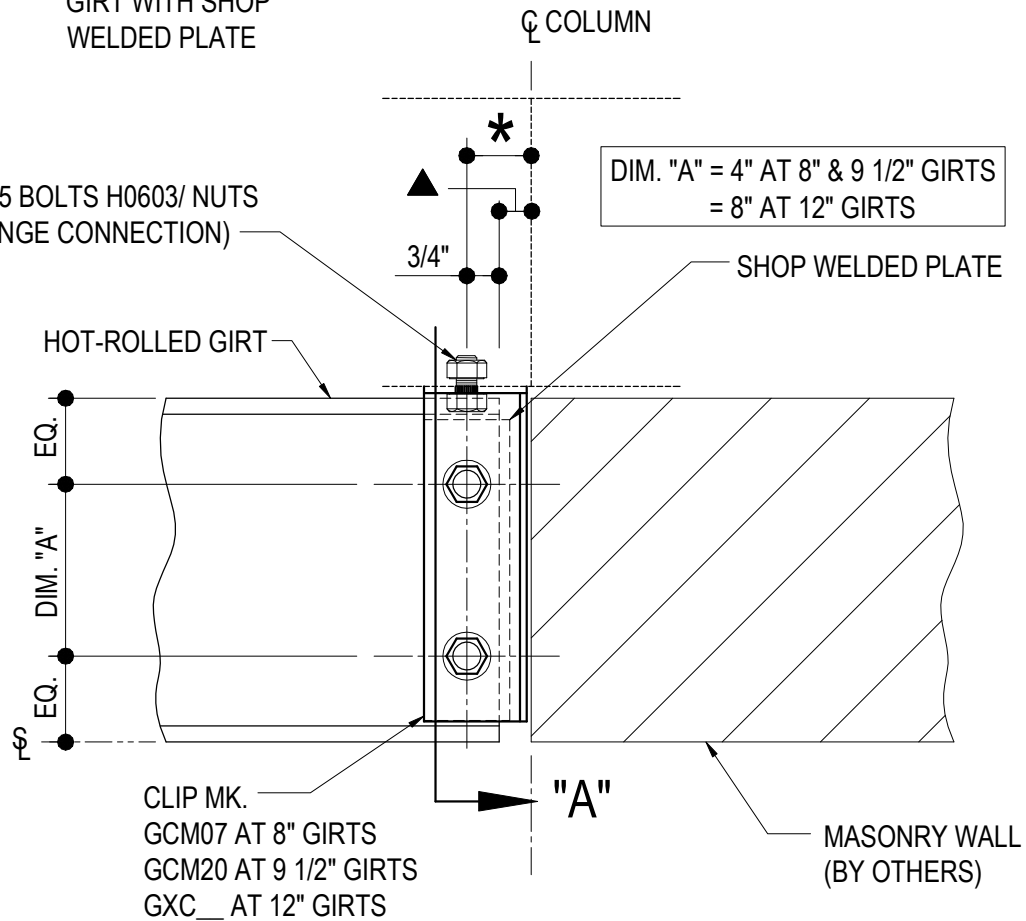
[Download the DWG file by clicking here.](#)



SECT. "A"

COLUMN FLANGE WIDTH	*	▲
FLANGE = 4"	1 1/8"	3/8"
FLANGE > 4"	1 1/2"	3/4"

USE (2) 1/2" x 2" A325 BOLTS H0603/ NUTS H0300 (CLIP TO FLANGE CONNECTION)



SW OR EW GIRT TERMINATION DETAIL

BYPASS CEE GIRT TERMINATION AT MASONRY WALL RIGHT

NOTE: USE (2) 1/2"x 2" A325 BOLTS H0603/NUTS H0300

REFERENCE ERECTOR NOTE FOR TYPICAL WASHER REQUIREMENTS

CC0130

Detailer Notes:

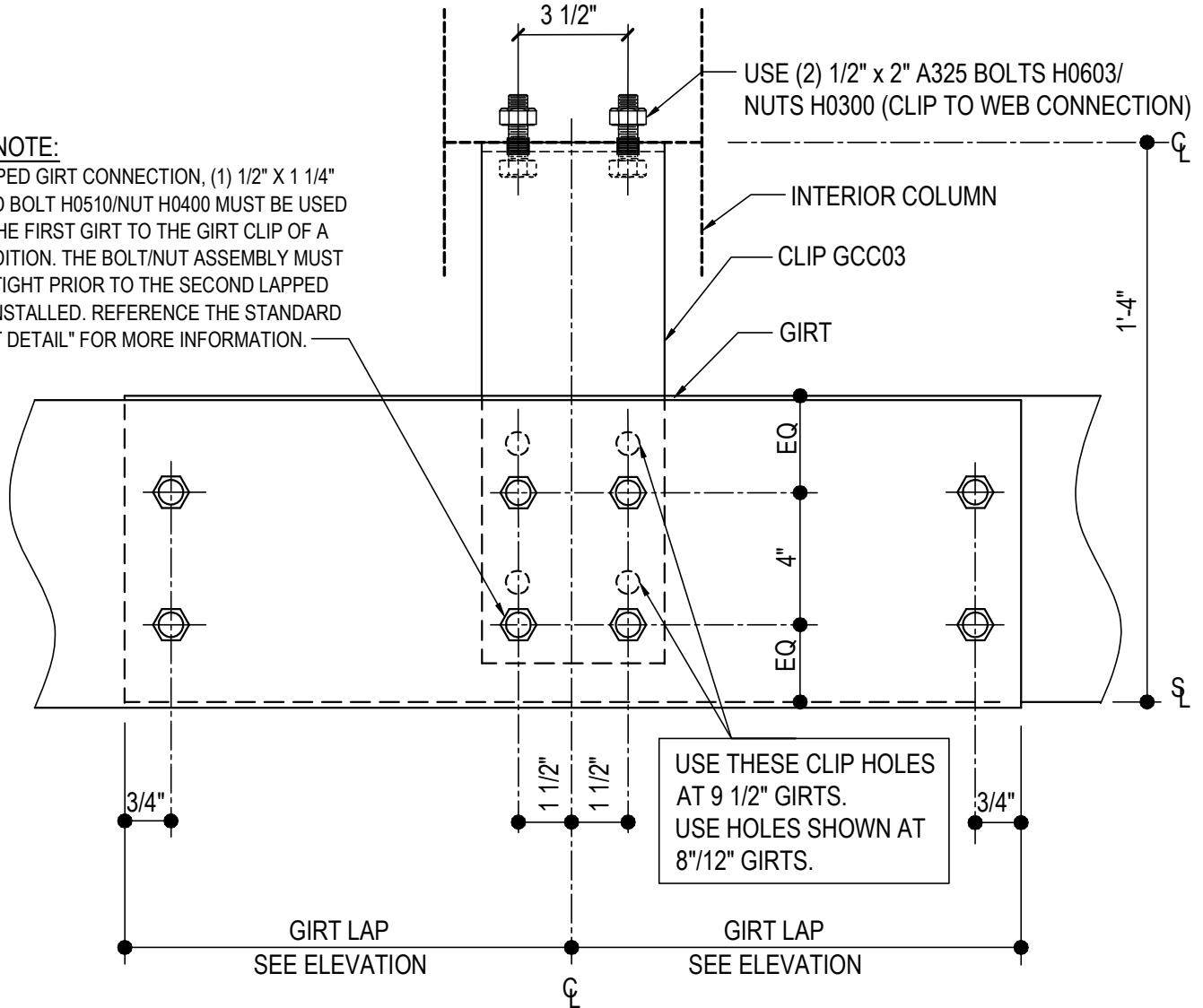
- 1) IF COLUMN FLANGE IS 4" THE GCM__ CLIP WILL CROSS THE CENTERLINE OF THE COLUMN SPECIAL CLIP MAY BE REQUIRED.

CC0240 - SW OR EW GIRT DETAIL

[Download the DWG file by clicking here.](#)

ERECTOR NOTE:

AT EACH LAPPED GIRT CONNECTION, (1) 1/2" X 1 1/4" BUTTON HEAD BOLT H0510/NUT H0400 MUST BE USED TO ATTACH THE FIRST GIRT TO THE GIRT CLIP OF A LAPPED CONDITION. THE BOLT/NUT ASSEMBLY MUST BE WRENCH TIGHT PRIOR TO THE SECOND LAPPED GIRT BEING INSTALLED. REFERENCE THE STANDARD "LAPPED GIRT DETAIL" FOR MORE INFORMATION.



SW OR EW GIRT DETAIL

LAPPED BYPASS GIRTS AT INTERIOR BAY COLUMNS

NOTE: USE (7) 1/2"x 1 1/4" A307 BOLTS H0500/NUTS H0400

WASHERS ARE NOT REQUIRED AT LAPPED ZEE CONNECTION

REFERENCE ERECTOR NOTE FOR TYPICAL WASHER REQUIREMENTS

CC0240

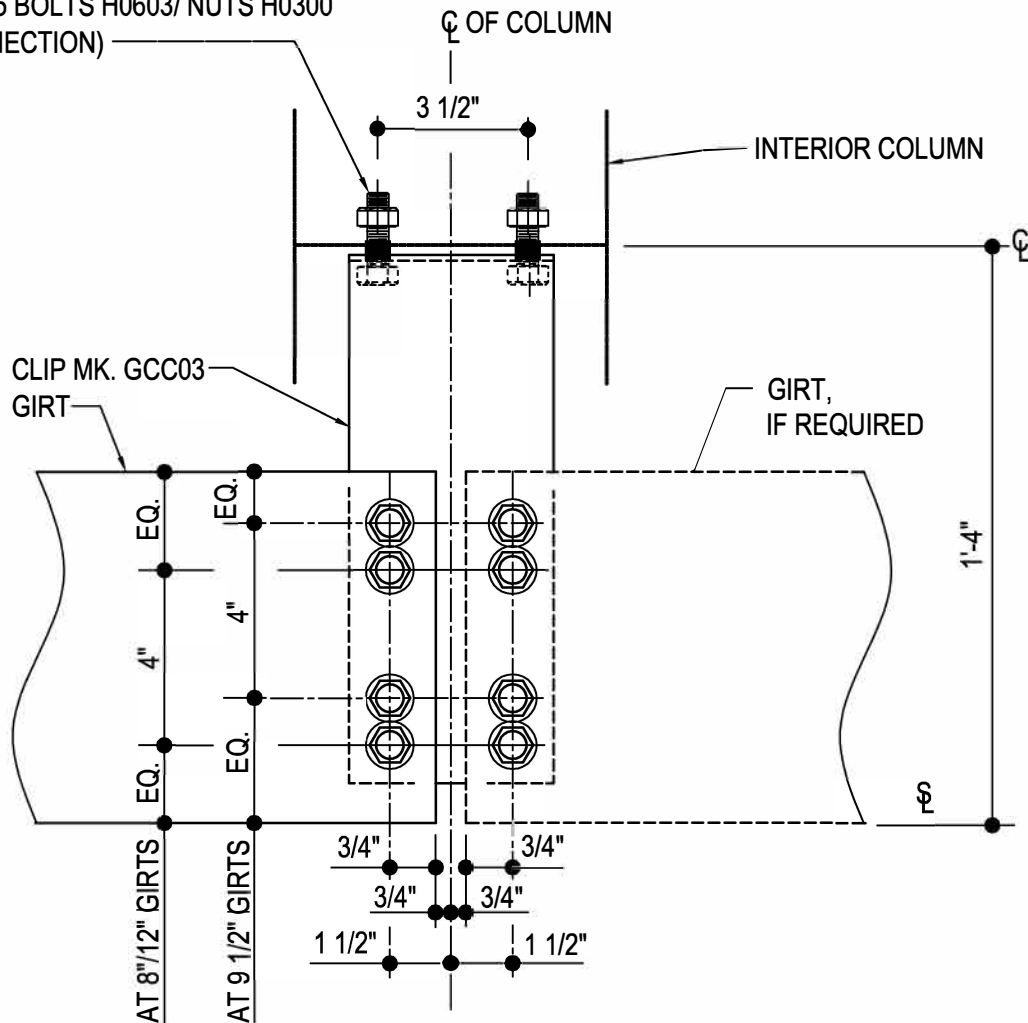
Detailer Notes:

1) N/A

CC0250 - GIRT DETAIL AT INTERIOR COLUMN DETAIL

[Download the DWG file by clicking here.](#)

USE (2) 1/2" x 2" A325 BOLTS H0603/ NUTS H0300
(CLIP TO WEB CONNECTION)



GIRT DETAIL AT INTERIOR COLUMN

SIMPLE-SPAN GIRTS AT BUILT UP INTERIOR COLUMN

NOTE: USE (4) 1/2" x 1 1/4" A307 BOLTS H0500/NUTS H0400

REFERENCE STANDARD WASHER DETAIL FOR TYPICAL WASHER REQUIREMENTS

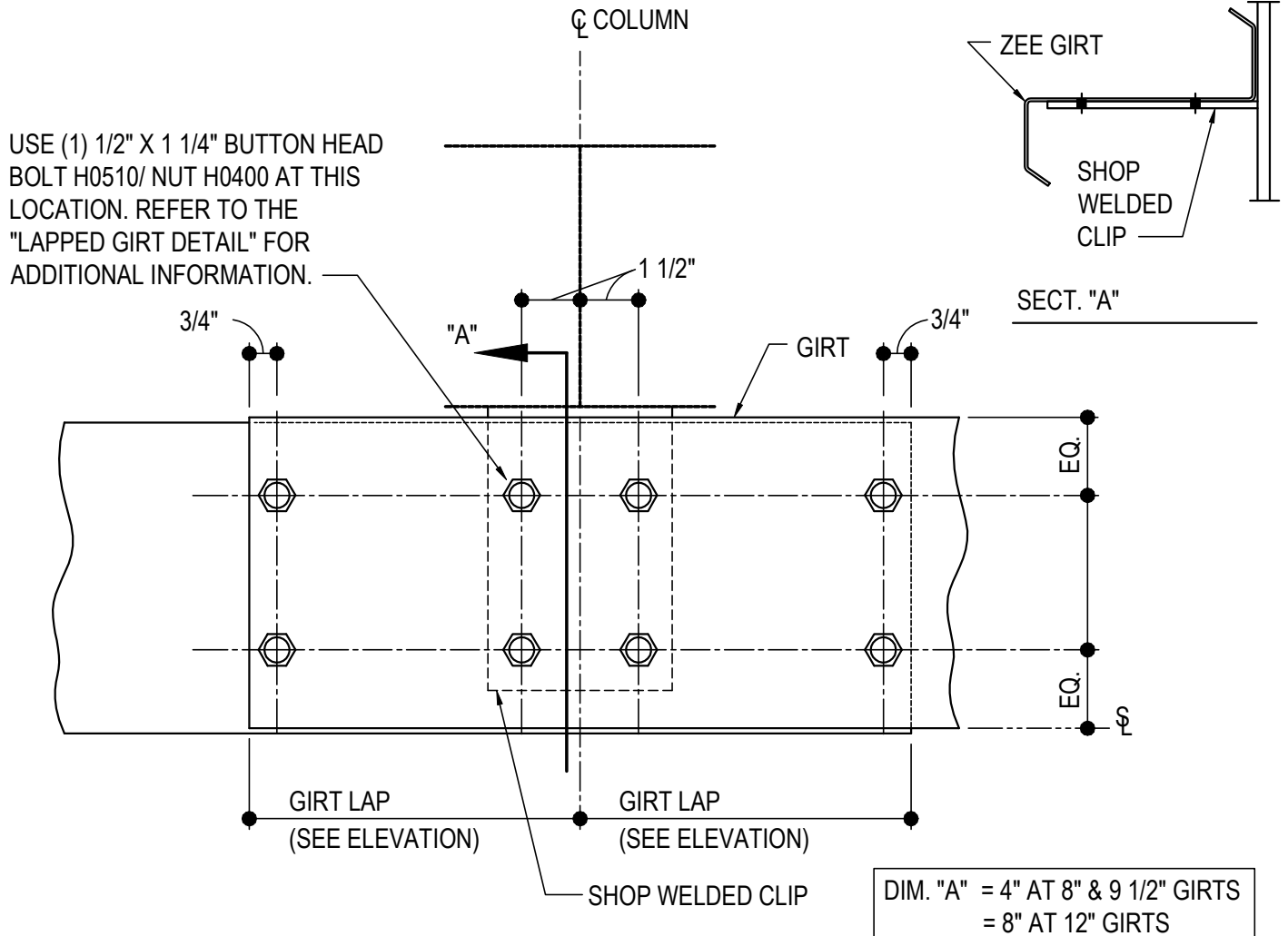
CC0250

Detailer Notes:

- 1) N/A

CC1010 - SW OR EW GIRT DETAIL

[Download the DWG file by clicking here.](#)



SW OR EW GIRT DETAIL

LAPPED BYPASS GIRTS AT INTERIOR BAY COLUMNS

NOTE: USE (7) 1/2"x 1 1/4" A307 BOLTS H0500/NUTS H0400

WASHERS ARE NOT REQUIRED AT LAPPED ZEE CONNECTION

REFERENCE ERECTOR NOTE FOR TYPICAL WASHER REQUIREMENTS

CC1010

Detailer Notes:

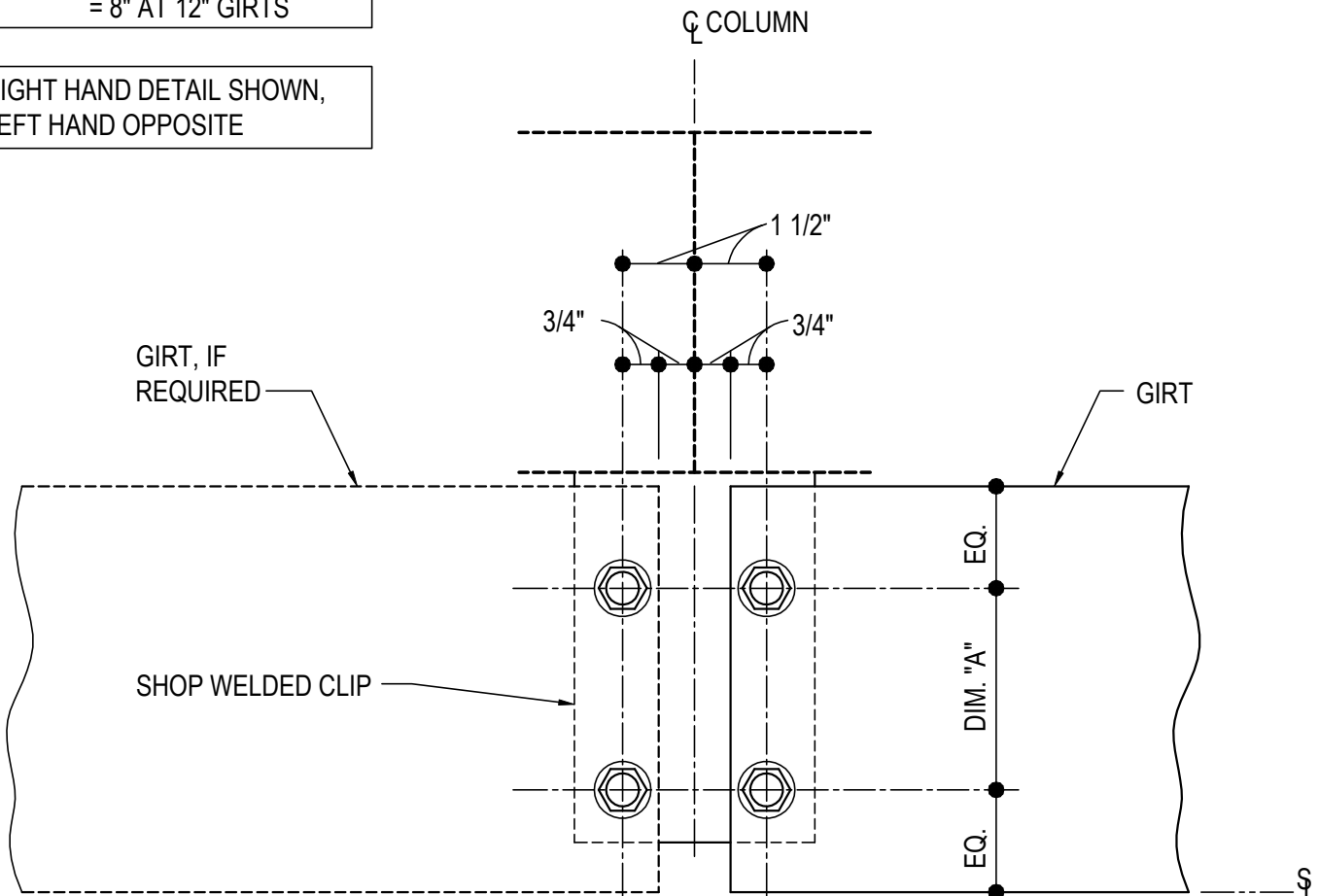
- 1) SHOP WELDED BYPASS GIRT CLIP TO COLUMN: 8" GIRT = PCU01, 9 1/2" GIRT = GCB62, 12" GIRT = GCB12

CC1020 - SW OR EW GIRT DETAIL

[Download the DWG file by clicking here.](#)

DIM. "A" = 4" AT 8" & 9 1/2" GIRTS
= 8" AT 12" GIRTS

RIGHT HAND DETAIL SHOWN,
LEFT HAND OPPOSITE



SW OR EW GIRT DETAIL

SIMPLE-SPAN BYPASS GIRTS AT INTERIOR BAY COLUMNS

NOTE: USE (4) 1/2"x 1 1/4" A307 BOLTS H0500/NUTS H0400

REFERENCE ERECTOR NOTE FOR TYPICAL WASHER REQUIREMENTS

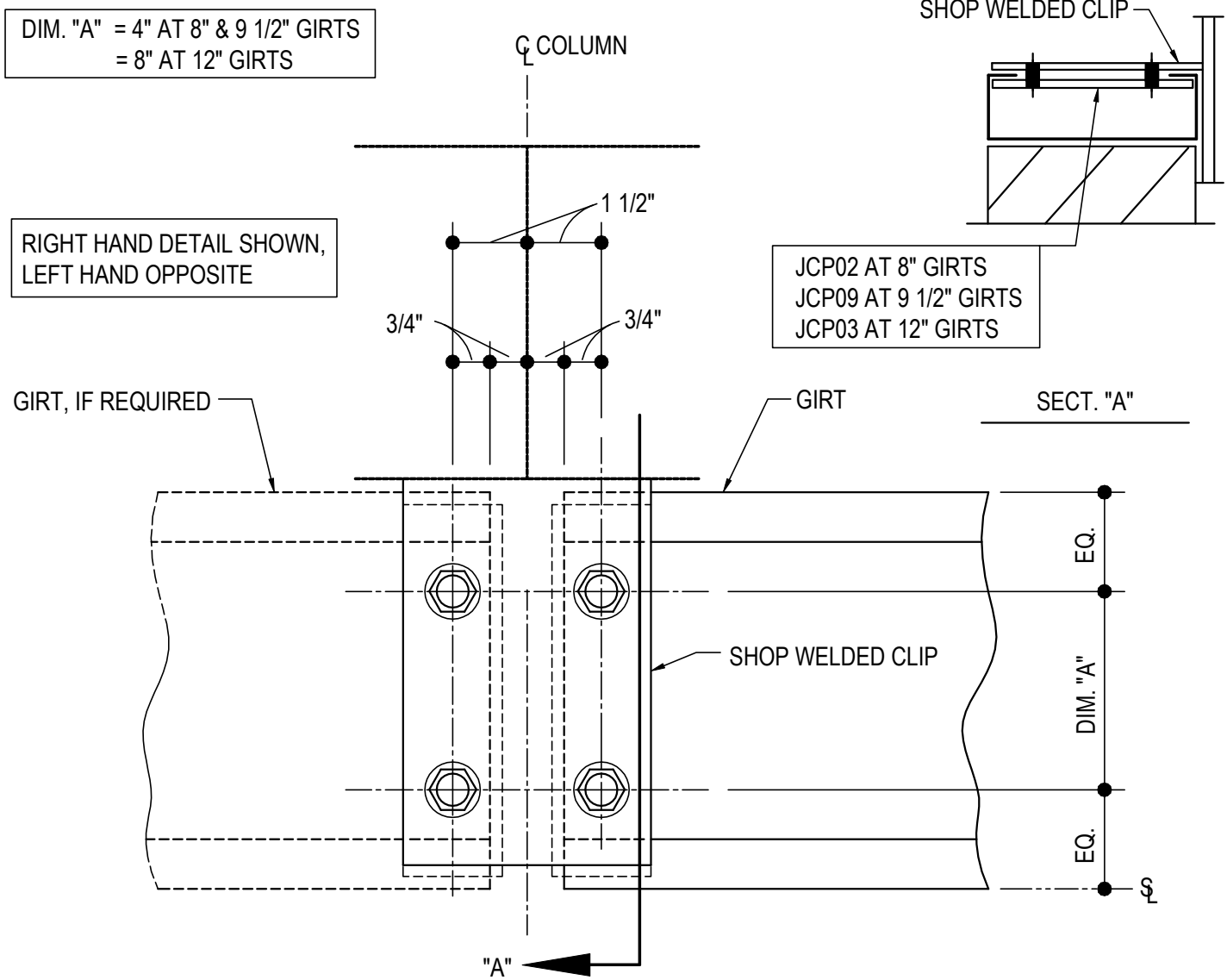
CC1020

Detailer Notes:

- 1) SHOP WELDED BYPASS GIRT CLIP TO COLUMN: 8" GIRT = PCU01, 9 1/2" GIRT = GCB62, 12" GIRT = GCB12

CC1030 - SW OR EW GIRT DETAIL

[Download the DWG file by clicking here.](#)



SW OR EW GIRT DETAIL

BYPASS CEE GIRT AT MASONRY WALL

NOTE: USE (4) 1/2" x 1 1/4" A307 BOLTS H0500/NUTS H0400

REFERENCE ERECTOR NOTE FOR TYPICAL WASHER REQUIREMENTS

CC1030

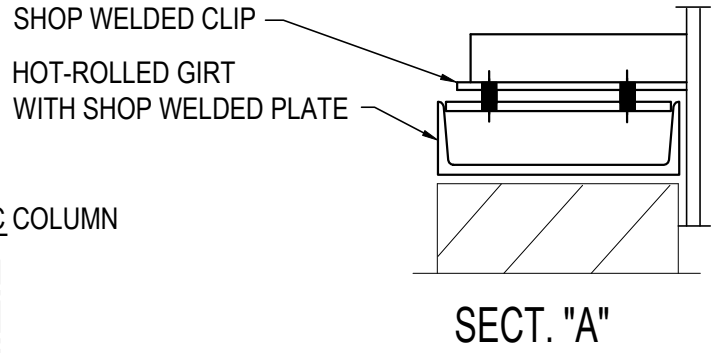
Detailer Notes:

- 1) SHOP WELDED BYPASS GIRT CLIP TO COLUMN: 8" GIRT = GCM04, 9 1/2" GIRT = GCM95, 12" GIRT = GCB12

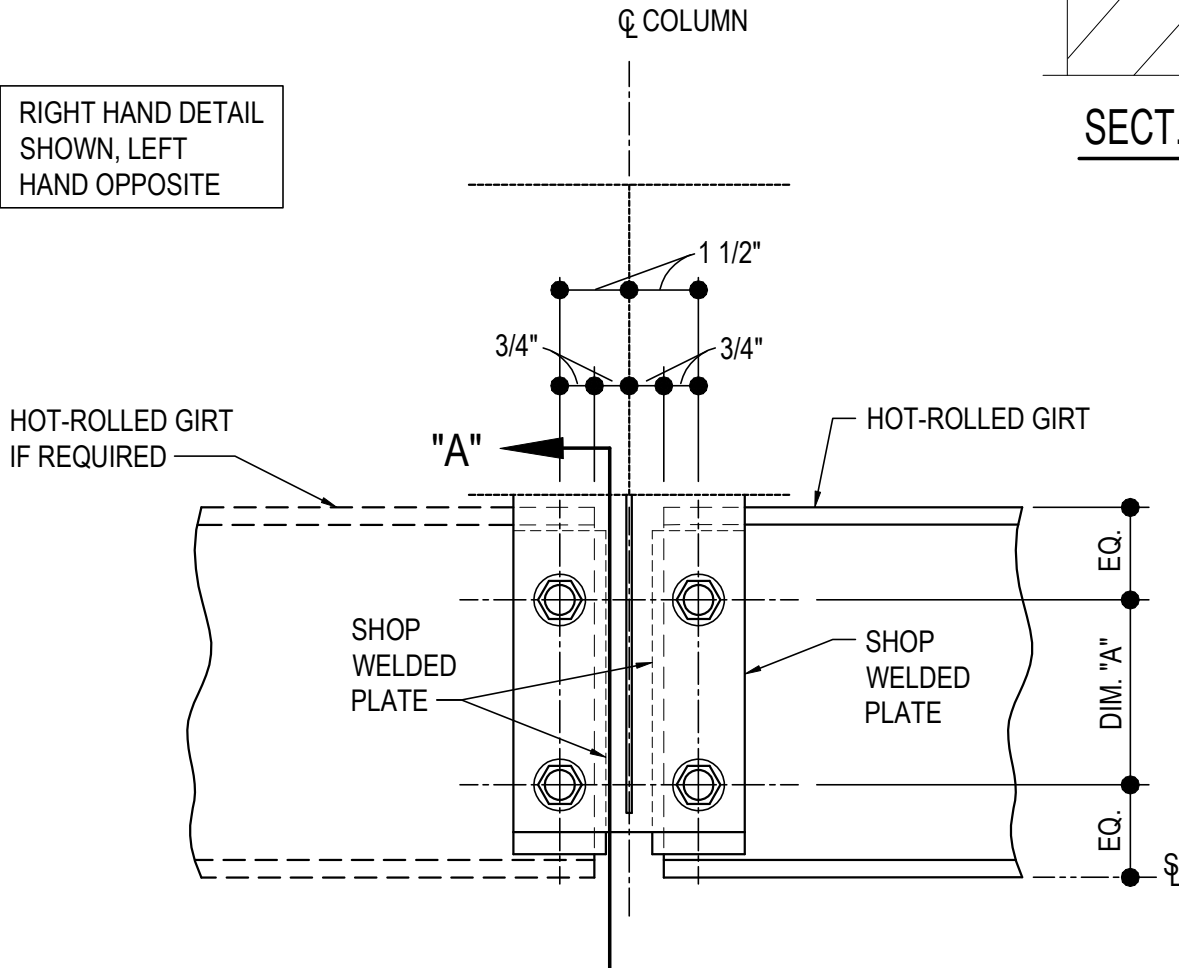
CC1040 - HR CEE WITH WELDED CLIP ABOVE

[Download the DWG file by clicking here.](#)

DIM. "A" = 4" AT 8" GIRTS
= 8" AT 12" GIRTS



RIGHT HAND DETAIL
SHOWN, LEFT
HAND OPPOSITE



SW OR EW GIRT DETAIL

BYPASS HOT-ROLLED AT MASONRY WALL

NOTE: USE (4) 1/2"x2" A325 BOLTS (H0603) & NUTS (H0300)

REFERENCE ERECTOR NOTE FOR TYPICAL WASHER REQUIREMENTS

CC1040

Detailer Notes:

- 1) (4) HOLE WELDED CLIP TO COLUMN :
8" - GCM04
12" - GCB12
- 2) (2) HOLE CLIP WELDED TO HR GIRT :
8" - HCS08
12" - HCS12

- 3) ADD STIFFENER PER DESIGN TO
(4) HOLE WELDED CLIP TO COLUMN:
8" GIRT: WS_04
12" GIRT: WS_12